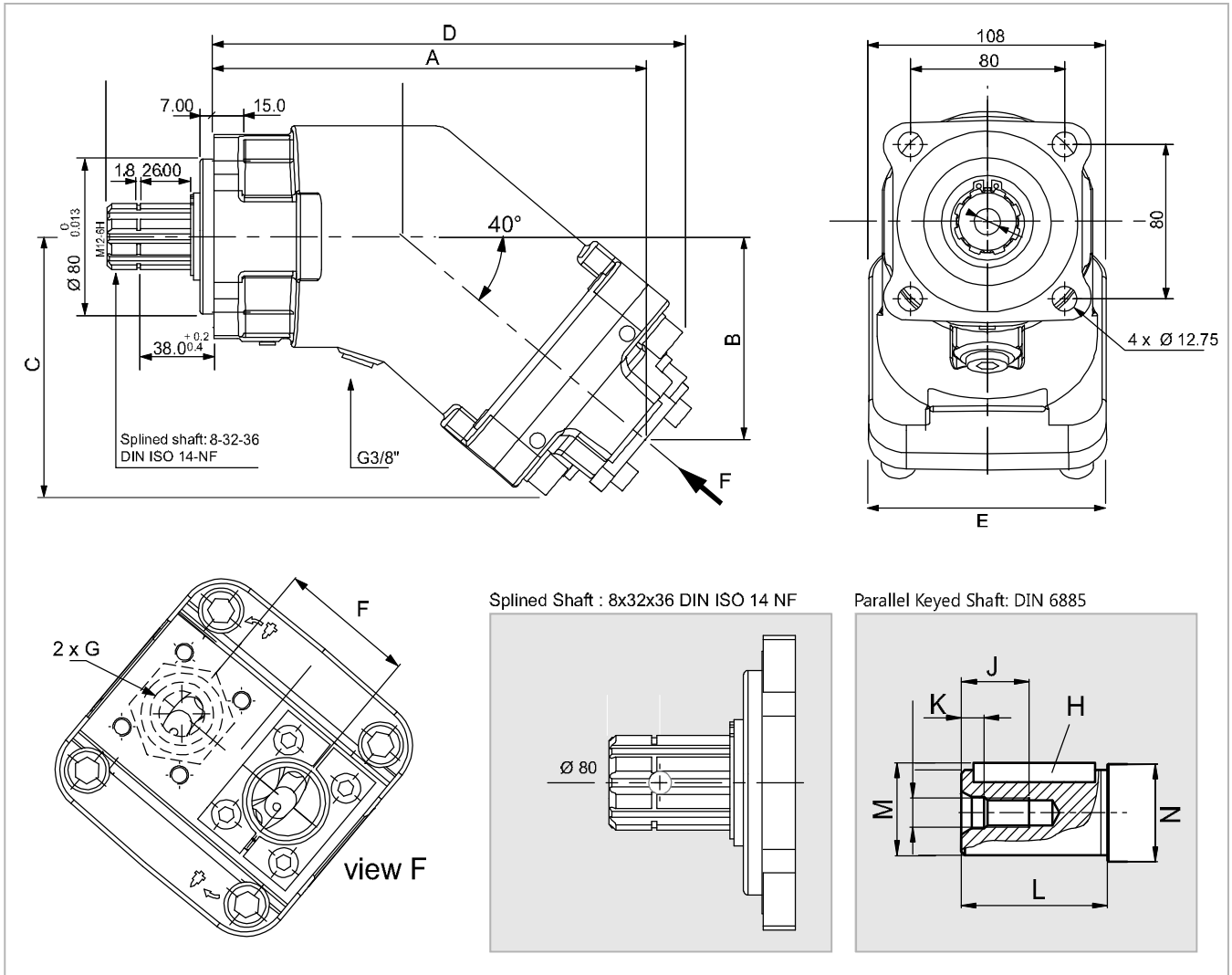


Technical Data II

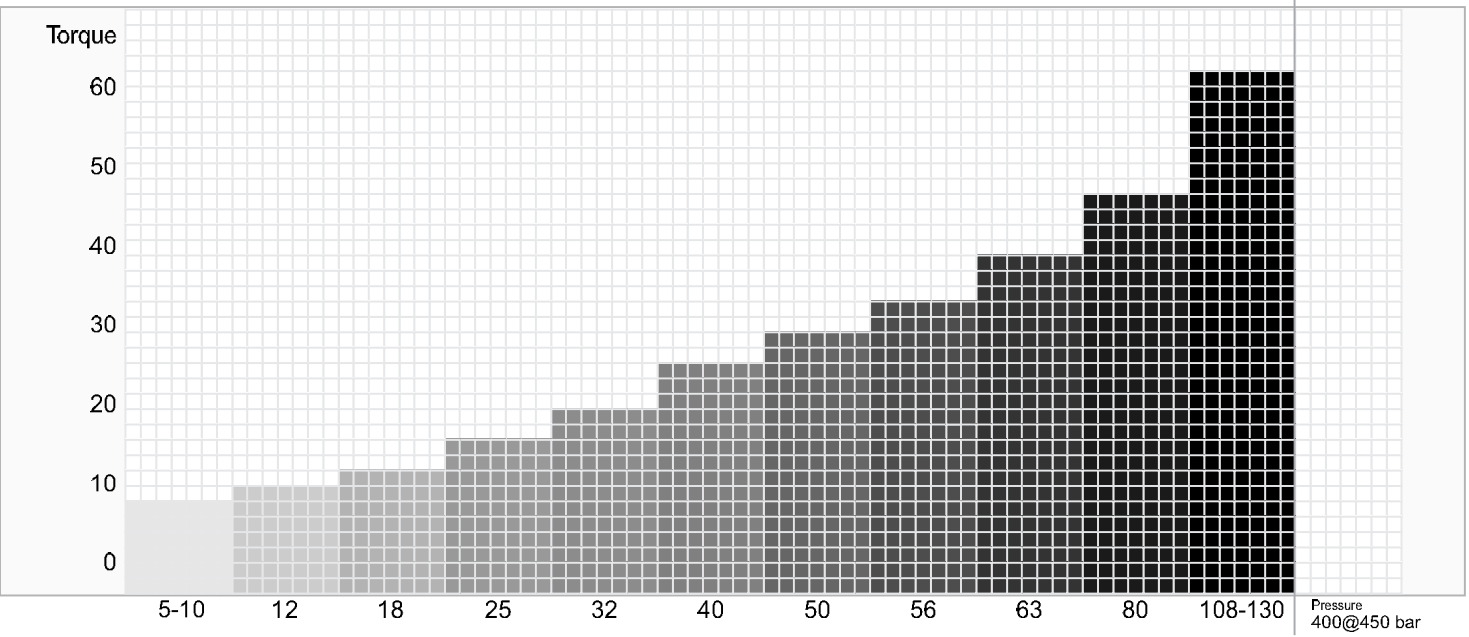


	5	10	12	18	25	32	40	50	56	63	80	108	130
cc	5,00	10,00	12,00	18,00	25,00	32,00	40,20	50,00	56,40	63,00	80,00	108,4	130,0
A	170,0	170,0	170,0	170,0	170,0	177,0	177,0	188,0	188,0	188,0	215,0	215,0	215,0
B	71,0	71,0	71,0	71,0	71,0	76,0	76,0	86,0	86,0	86,0	98,0	98,0	98,0
C	103,0	103,0	103,0	103,0	103,0	108,0	108,0	118,0	118,0	118,0	132,0	132,0	132,0
D	197,0	197,0	197,0	197,0	197,0	202,0	202,0	214,0	214,0	214,0	240,0	240,0	240,0
E	107,5	107,5	107,5	107,5	107,5	107,5	107,5	107,5	107,5	107,5	122,5	122,5	122,5
F	54,0	54,0	54,0	54,0	54,0	54,0	54,0	54,0	54,0	54,0	60,0	60,0	60,0
G	G 3/4"	G 3/4"	G 3/4"	G 3/4"	G 3/4"	G 3/4"	G 3/4"	G 3/4"	G 3/4"	G 3/4"	G 1"	G 1"	G 1"

H	6	6	6	8	8	10	10	10	10	10	12	12	12
J	16	16	16	22	22	28	28	28	28	28	28	28	28
K	5	5	5	7,5	7,5	9,5	9,5	9,5	9,5	9,5	9,5	9,5	9,5
L	40	40	40	50	50	60	60	60	60	60	70	80	70
M	22,5	22,5	22,5	33	33	38	38	38	38	38	38	43	38
N	Ø 28	Ø 28	Ø 28	Ø 35	Ø 35	Ø 35	Ø 35	Ø 40	Ø 40	Ø 40	Ø 45	Ø 50	Ø 45

Performance

Compare Table of Torque



Efficiency of 2PBM Motors (1000 rpm)

